

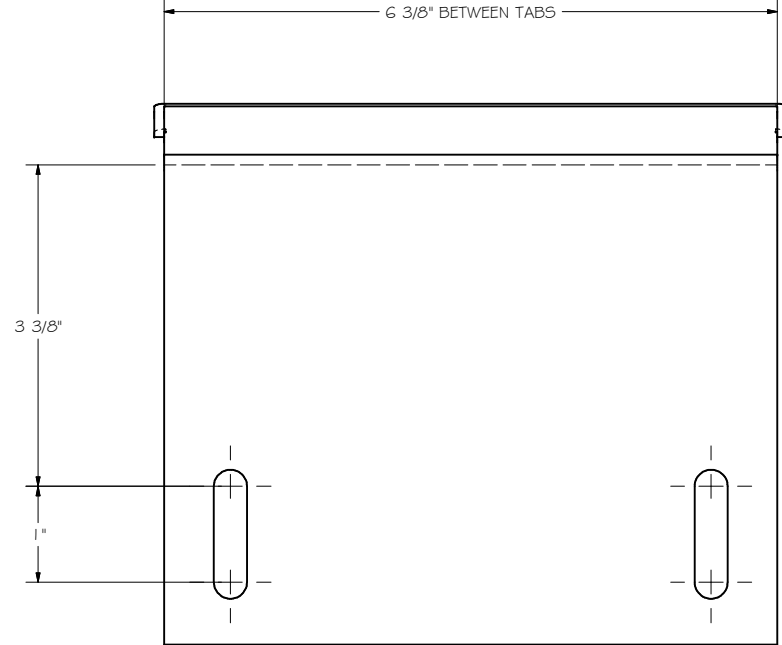
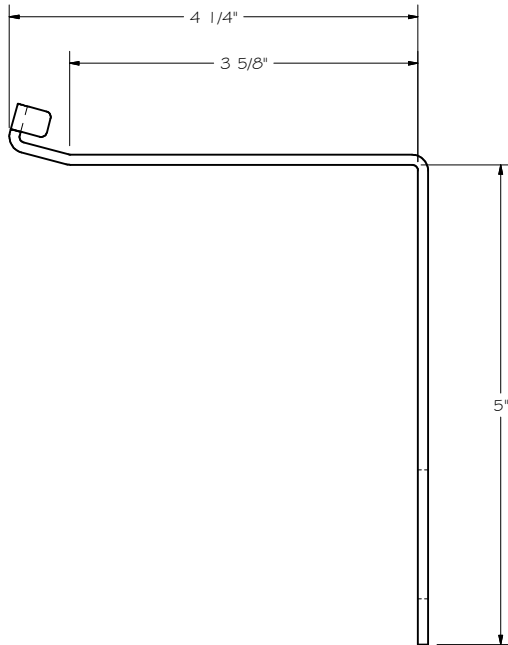
4

3

2

1

REVISION									
REV	DATE/REV	CHK BY	PROV BY	CHK/WR	MRK APPR	QC	RELEASED BY	DISTRIB/DATE	



D

D

C

C

B

B

A

A

4

3

2

1

CODE IDENT. NO. 17238	NAME	DATE	DO NOT SCALE DRAWING		Summit Racks LLC
DRAWN BY	JAB	8/22/2018	UNLESS OTHERWISE SPECIFIED THE FOLLOWING INFORMATION PERTAINS ONLY TO THIS SHEET		
PROJECT ENGINEER			DIMENSIONS ARE IN : INCH [mm]		
CHECKER			TOLERANCE: INCH [mm]		
MANUFACTURING			X ±	.XXX ±	DESCRIPTION CM-NF Bracket
ENGINEERING MANAGER			X ±	FRACTION ± 1/32"	
QUALITY CONTROL			XX ±	ANGLE ± 1°	
RELEASED BY			SURFACE FINISH	MICRO INCH 32 Ra	DRAWING NUMBER CM-NF_Bracket
			NOUN NAME / VARIABLE ENGINEERING DESCRIPTION / DRAWING TYPE / DRAWING STATUS		
<p>CONFIDENTIAL</p> <p>This information is the property of SUMMIT RACKS LLC and is furnished for use of the assigned recipient only. No copies are to be made of the material contained herein and it is not to be divulged to others, without specific approval of SUMMIT RACKS LLC.</p>			CM-NF Bracket		THIRD ANGLE PROJECTION
			WorkInProgress		CAT NUMBER CM-NF Bracket.lidw
					SHEET 1 OF SHEET 1