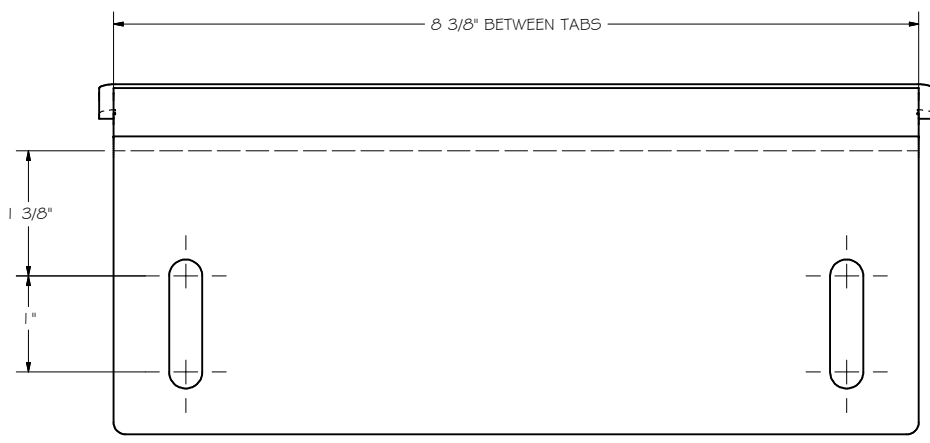
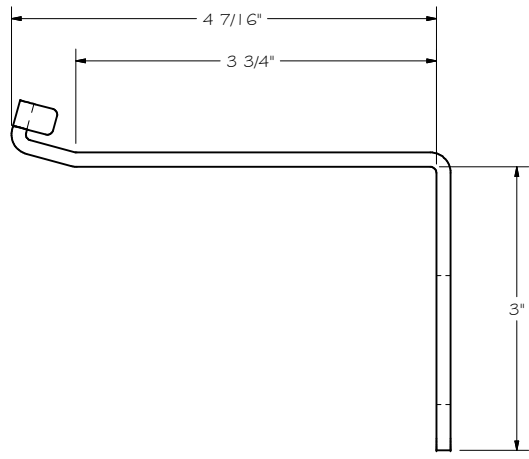


REVISION									
REV	EDITOR/DATE	CHK BY	PROLENGR	CHKWR	MGR APPROV	QC	RELEASED BY	DISTRIB/DATE	



CODE IDENT. NO. 17238	NAME	DATE	DO NOT SCALE DRAWING		Summit Racks LLC
DRAWN BY	JAB	8/22/2018	UNLESS OTHERWISE SPECIFIED THE FOLLOWING INFORMATION PERTAINS ONLY TO THIS SHEET		
PROJECT ENGINEER			DIMENSIONS ARE IN : INCH [mm]		DESCRIPTION CM-NT-HD Bracket
CHECKER			TOLERANCE: INCH [mm]		
MANUFACTURING			SPECIFICATIONS:		DRAWING NUMBER CM-NT-HD_Bracket
ENGINEERING MANAGER			X ±	XXX ±	
QUALITY CONTROL			X ±	FRACTION ± 1/32"	REVISION
RELEASED BY			XX ±	ANGLE ± 1°	SCALE 1:1
			NEXT ASSEMBLY:		SHEET 1
			FINISH: MICRO INCH 32 Ra		CAD FILE NUMBER CM-NT-HD_Bracket.dwg
			NOUN NAME / VARIABLE ENGINEERING DESCRIPTION / DRAWING TYPE / DRAWING STATUS		OF SHEET 1
CONFIDENTIAL This information is the property of SUMMIT RACKS LLC and is furnished for use of the assigned recipient only. No copies are to be made of the material contained herein and it is not to be divulged to others, without specific approval of SUMMIT RACKS LLC.			CM-NF-HD Bracket WorkInProgress		

