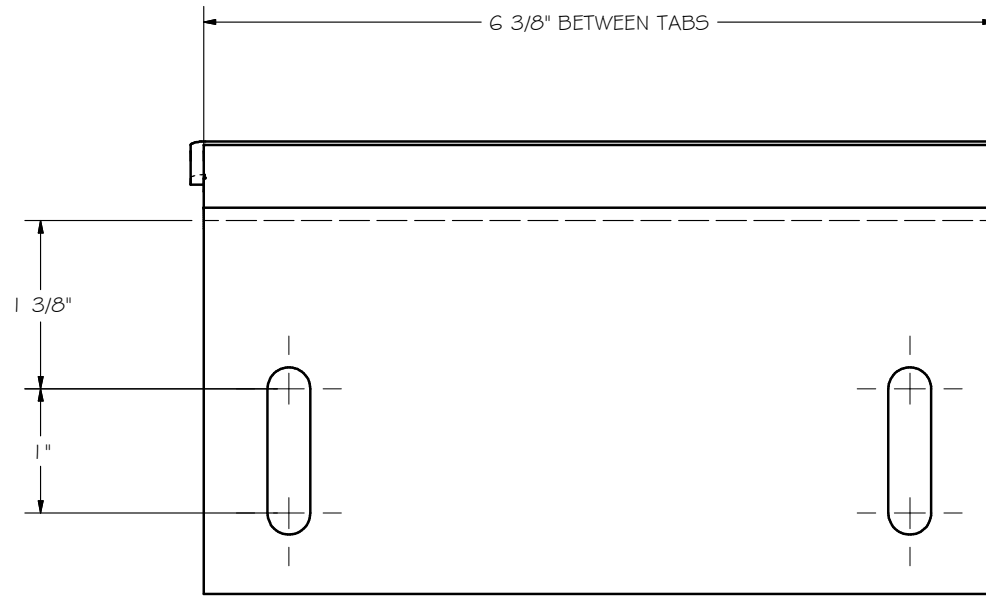
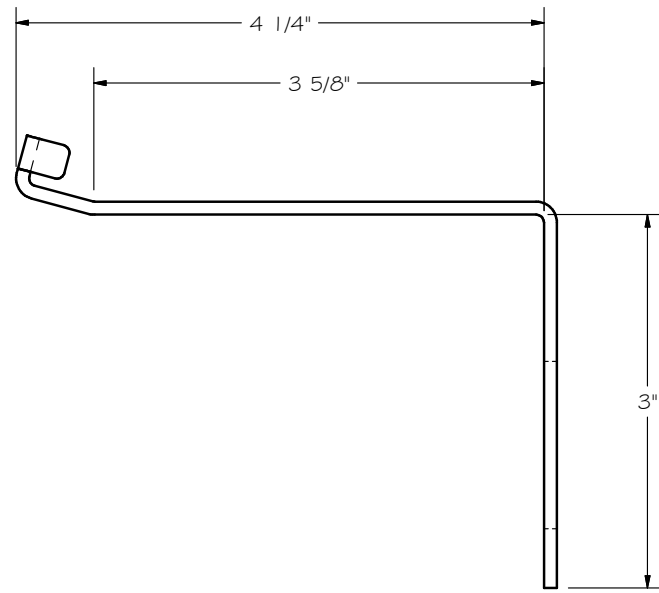


REVISION									
REV	ECO OR PCO	CHG BY	PROJ ENGR	CHECKER	MFG APPVD	QC	RELEASED BY	DISTRIBUTION DATE	



CODE IDENT. NO. 17238	NAME	DATE	DO NOT SCALE DRAWING		Summit Racks LLC
DRAWN BY	JAB	4/23/2008	UNLESS OTHERWISE SPECIFIED THE FOLLOWING INFORMATION PERTAINS ONLY TO THIS SHEET		
PROJECT ENGINEER			DIMENSIONS ARE IN: INCH (mm)	TOLERANCE: INCH (mm)	
CHECKER			SPECIFICATIONS:	.X ± .XXX ± .X ± FRACTION ± 1/32" XX ± ANGLE ± 1°	
MANUFACTURING			NEXT ASSEMBLY:	SURFACE FINISH: <input checked="" type="checkbox"/> MICRO INCH 32 Ra <input type="checkbox"/> MICRO METER	DESCRIPTION
ENGINEERING MANAGER			NOUN NAME / VARIABLE ENGINEERING DESCRIPTION / DRAWING TYPE / DRAWING STATUS		CM-NT Bracket
QUALITY CONTROL			CM-NF Bracket		DRAWING NUMBER
RELEASED BY			WorkInProgress		REVISION
<b>CONFIDENTIAL</b> This information is the property of SUMMIT RACKS LLC and is furnished for use of the assigned recipient only. No copies are to be made of the material contained herein and it is not to be divulged to others, without specific approval of SUMMIT RACKS LLC.			CM-NT_Bracket CM-NT_Bracket		SCALE
					1:1
					CAT NUMBER
			THIRD ANGLE PROJECTION	CAD FILE NUMBER	OF SHEET 1
			CM-NT_Bracket.idw		