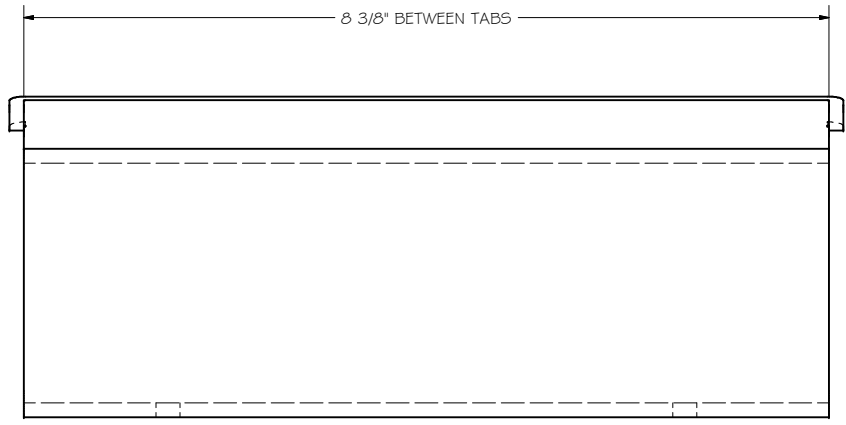
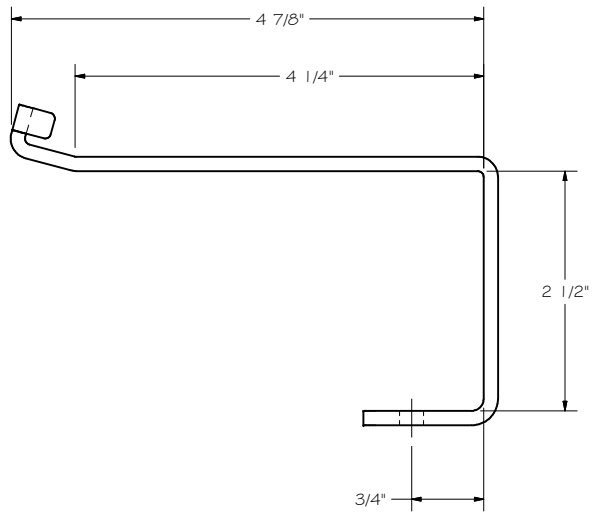


| REVISION |            |        |          |       |            |    |             |              |  |
|----------|------------|--------|----------|-------|------------|----|-------------|--------------|--|
| REV      | EDITOR/PCD | CHK BY | PROVENOR | CHKWR | MGR APPROV | QC | RELEASED BY | DISTRIB/DATE |  |
|          |            |        |          |       |            |    |             |              |  |



|  |      |           |  |                  |   |
|--|------|-----------|--|------------------|---|
| CODE IDENT. NO. 1728   | NAME | DATE      | DO NOT SCALE DRAWING   |                  | <b>Summit Racks LLC</b>                           |
| DRAWN BY   | JAB  | 8/22/2018 | UNLESS OTHERWISE SPECIFIED THE FOLLOWING INFORMATION PERTAINS ONLY TO THIS SHEET |                  |   |
| PROJECT ENGINEER   |      |           | DIMENSIONS ARE IN : INCH [mm]  |                  |   |
| CHECKER  |      |           | TOLERANCE: INCH [mm]   |                  |   |
| MANUFACTURING  |      |           | SPECIFICATIONS:  |                  | DESCRIPTION<br><b>CS-FS-HD Bracket</b>            |
| ENGINEERING MANAGER  |      |           | X ±  | .XXX ±           |   |
| QUALITY CONTROL  |      |           | X ±  | FRACTION ± 1/32" |   |
| RELEASED BY  |      |           | XX ±   | ANGLE ± 1°       | DRAWING NUMBER<br><b>CS-FS-HD_Bracket</b>         |
|  |      |           | NEXT ASSEMBLY:   |                  |   |
| <p style="text-align: center;"><b>CONFIDENTIAL</b></p> <p style="font-size: small;">This information is the property of SUMMIT RACKS LLC and is furnished for use of the assigned recipient only. No copies are to be made of the material contained herein and it is not to be divulged to others, without specific approval of SUMMIT RACKS LLC.</p> |      |           | NOUN NAME / VARIABLE ENGINEERING DESCRIPTION / DRAWING TYPE / DRAWING STATUS     |                  | CAT NUMBER<br>SHEET <b>1</b><br>OF SHEET <b>1</b> |
|  |      |           | <b>CS-FS-HD Bracket</b>  |                  | THIRD ANGLE PROJECTION                            |
|  |      |           | WorkInProgress   |                  | CAD FILE NUMBER<br><b>CS-FS-HD_Bracket.dwg</b>    |