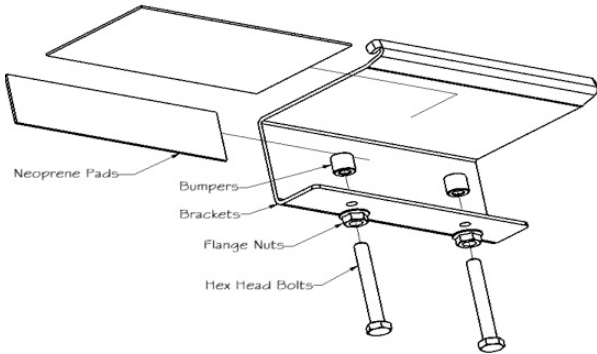




Open Bed Rail - Rain Gutter Bracket System Installation Instructions

CONTENTS: 4 Brackets, 8 Hex Head Bolts, 8 Flange Nuts, 8 Bumpers, 8 Neoprene Pads

TOOLS REQUIRED: 1/2" Wrench

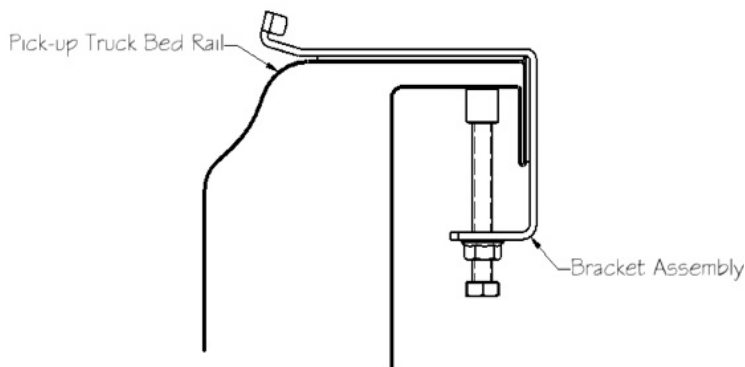


BRACKET ASSEMBLY

1. Peel backing from neoprene pads and adhere to bracket as shown in diagram.
2. Thread flange nuts on to bolts and thread bolts into bracket.
3. Thread plastic bumpers on to bolts.

BRACKET ASSEMBLY - INSTALLATION

1. Position brackets on pick-up bed rails as shown below. Note - spacing between brackets will vary depending on your specific rack system and rack accessory. It is best to determine your crossbar spacing first, then position the bracket assemblies accordingly.
2. Tighten bolts until secure.
3. Tighten flange nut to lock in place.
4. Install rain gutter towers / rack assembly per manufactures' instructions.



SAFETY INFORMATION! It is critical that all brackets assemblies are properly and securely attached to your vehicle. You are responsible for ensuring the brackets are properly and securely attached to your vehicle, checking prior to use and periodically inspecting for adjustment, wear, and damage. If you are not confident in your ability to install this product, you should have a qualified professional perform the installation.

90 DAY LIMITED WARRANTY Summit Racks will replace or repair this product only if it contains defect in materials and / or workmanship and if notified of defect within 90 days from date of purchase. Damages resulting from misuse, accidents, or alterations are not covered. The purchaser acknowledges that Summit Racks has no control over the attachment of its products to vehicles and cannot assume responsibility for any damage to your vehicle, cargo, or to any person or property.